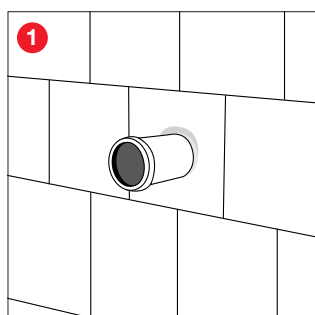
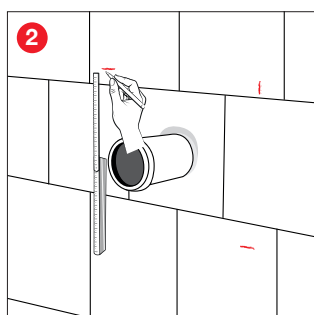




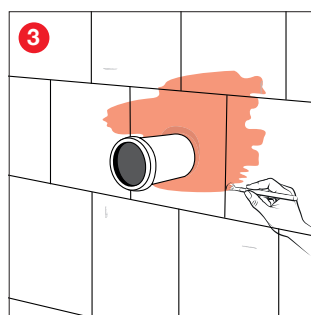
Assembly instructions



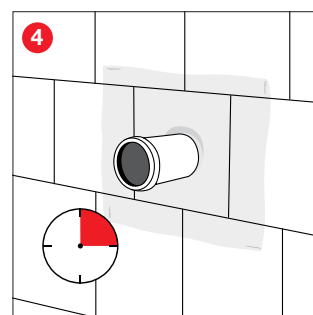
1 A to be sealed penetration of the building envelope with absorbent/porous substrate.



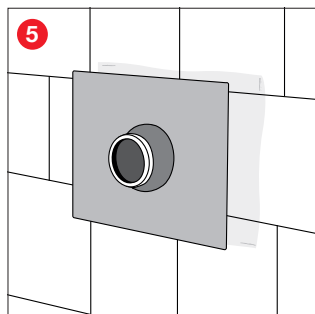
2 Draw in the adhesive collar measurements of the selected cuff.



3 Brush the adhesive primer evenly onto the marked area.



4 Allow the adhesive primer to flash off for 15-40 min. until it is transparent.



5 Pull the cuff over the grommet and remove the protective film.



6 Glue the cuff as shown in the assembly instructions, for the cuff you have chosen.

Instructions for use:

The substrate must be even, solid, dry and free of grease, oil and dust. Stir the primer well before application. Apply evenly with a brush, roller or brush (double coat porous surfaces) and allow it to dry. Ensure an even application! Allow the primer to flash off until transparent before pressing on the adhesive surface. Thickened primer can be diluted with water. Observe the technical data sheet and the safety data sheet.