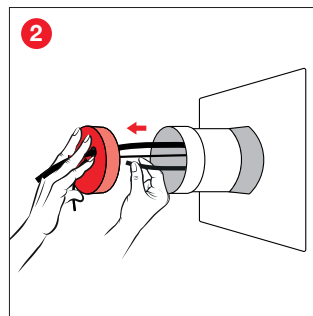
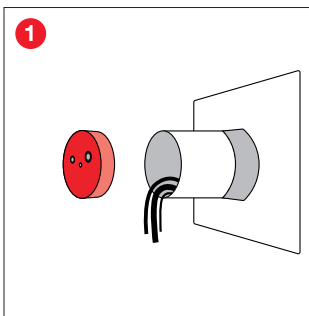


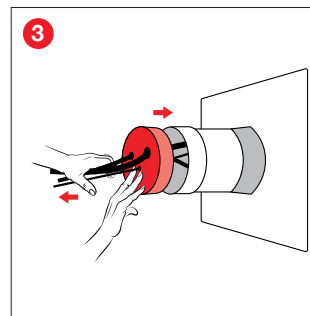


Assembly instructions

Wall:



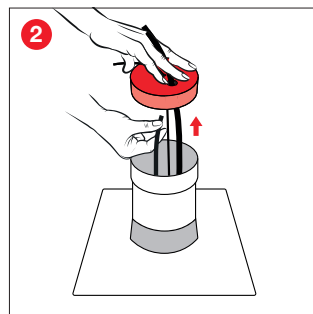
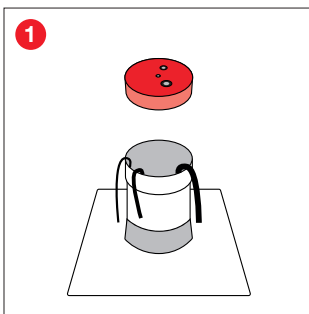
Guide the cables through the holes in the cover.



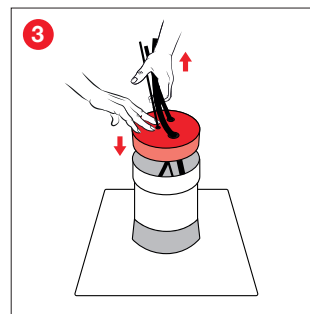
Close the tube with the cover. Pull the cables through the grommets.



Floor:



Guide the cables through the holes in the cover.



Close the tube with the cover. Pull the cables through the grommets.



Processing instructions:

The diameter of the selected cover must match the diameter of the pipe. The diameter of the holes in the cover must have the right dimension for the pipe lead-through. Before inserting the cover, check both the pipe socket and the sealing ring for external damage.