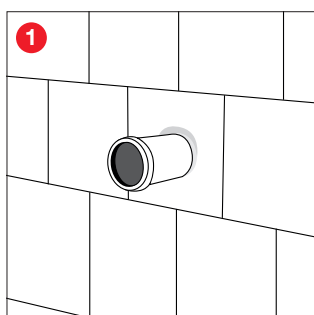
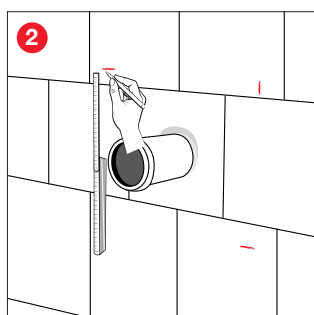




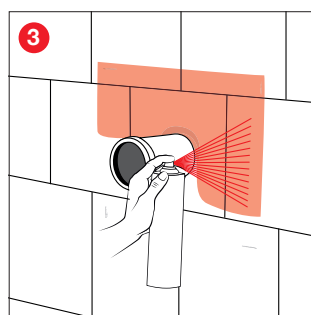
Assembly instructions



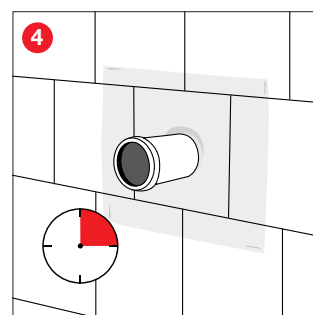
1 A to be sealed penetration of the building envelope with absorbent/porous substrate.



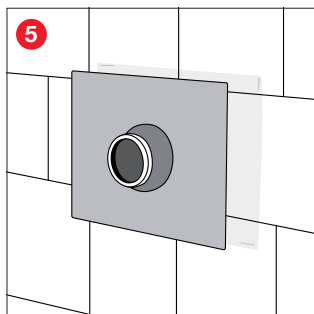
2 Draw in the adhesive collar measurements of the selected cuff.



3 Spray the spray primer evenly on the marked area.



4 Allow the spray primer to flash off for 3-5 min.



5 Pull the cuff over the grommet and remove the protective film.



6 Glue the cuff as shown in the assembly instructions, for the cuff you have chosen.

Instructions for use:

Shake the can well before use. The substrate must be even, solid, dry and free of grease, oil and dust. Spray the entire adhesive surface evenly with a thin film from a distance of approx. 20 cm and allow to flash off for approx. 3-5 minutes. Spray the can upside down free, after use. Observe the technical data sheet and the safety data sheet.