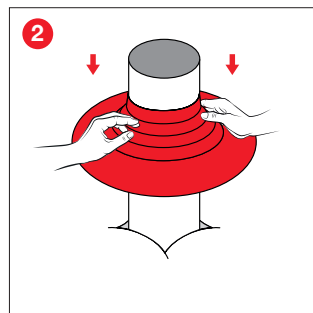
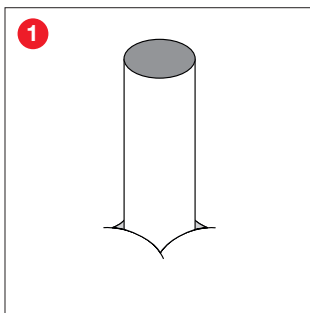
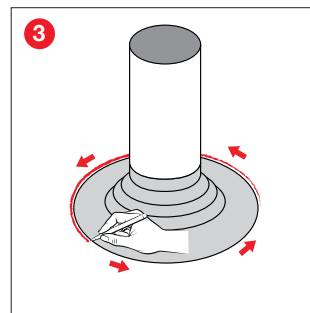




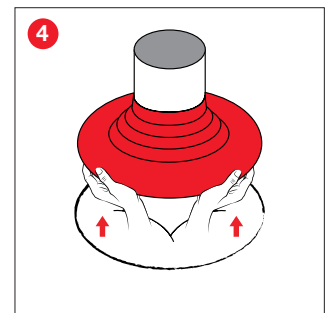
Assembly instructions



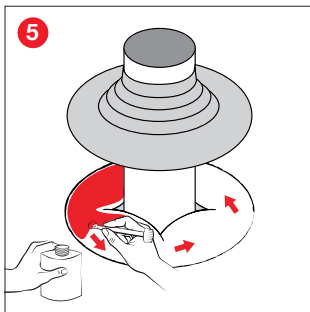
Pull the TPU bellow collar over the pipe down to the substrate.



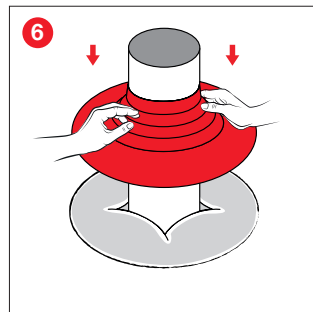
Mark the cuff outline on the material.



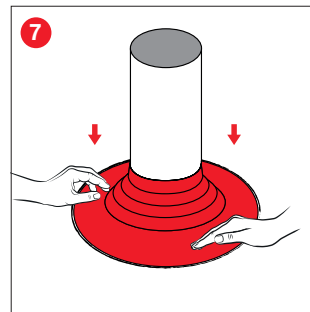
Push the cuff back up. You can also turn it upwards.



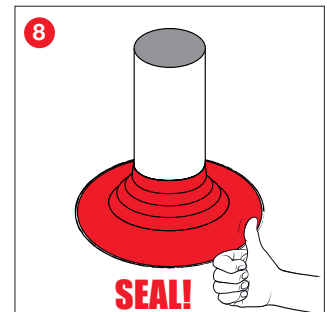
Generously brush the entire area with the EISEDICHT® swelling welding agent.



Slide the sleeve down onto the brushed material.



Press the cuff firmly. Especially on the inner and outer edges. The use of a squeegee is recommended.



Processing instructions:

Acclimatise product before processing. When using swelling welding agent, the surface of the workpieces to be joined must be dry and free of dust and release agents. Metal substrates must be sanded. Observe the technical data sheet and the safety data sheet of the solvent welding agent.